

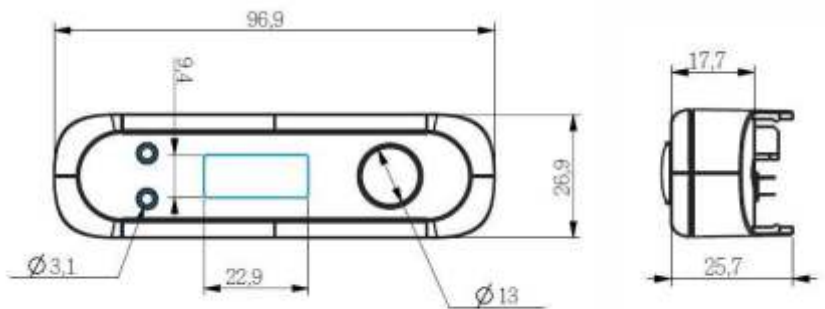
# Mini 3-digit pick to light ST203



## Specification

The new ST203 is a mini type of pick to light module based on ABLEPick communication protocol. It has the similar installation method as AT800 series.

- ABLEPick communication protocol
- 6 color LED (Red, Green, Orange, Blue, Pink, Cyan)
- Black confirmation button
- Up/down count buttons.
- 3 digit segment LED display
- Input voltage and current: +12VDC, Max 55 mA
- Temperature operating: -20°C to 40°C
- Temperature storage: -40°C to 70°C
- Humidity: 90% non condense

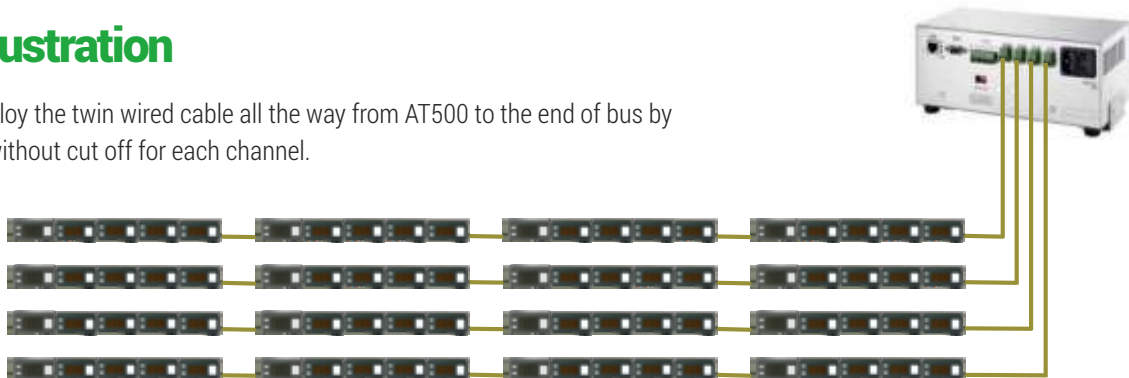


## Dimensions

- Weight: 23 gram
- Height: 26,9 mm
- Width: 96,9 mm
- Depth: 17,7 / 25,7 mm

## Cabling illustration

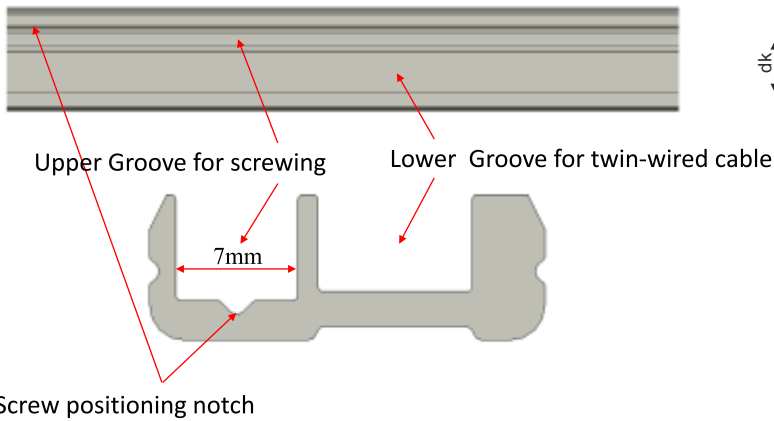
If it is possible, deploy the twin wired cable all the way from AT500 to the end of bus by continuous cable without cut off for each channel.



## Installation



## Mounting Aluminium rail



Note on the Rail direction, Upper is the screwing groove. When screwing, just point the screw tip to the screw positioning notch

Recommended self tapping type is ST2.9, the critical point is the dk needs to be less than 7mm, the screw head type is not specified.

## Mounting end cover



## Add cable



## Click to install



Smart Solutions for Intralogistics Automation

[in](#) [f](#) [tbwb.nl](#)

Rijksweg 110 - 4849 BR Dorst (NL) | Tel. +31(0)161 411 916 | [info@tbwb.nl](mailto:info@tbwb.nl)